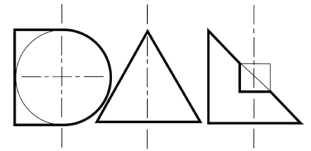


# MINITRIM 62 - CREE LED



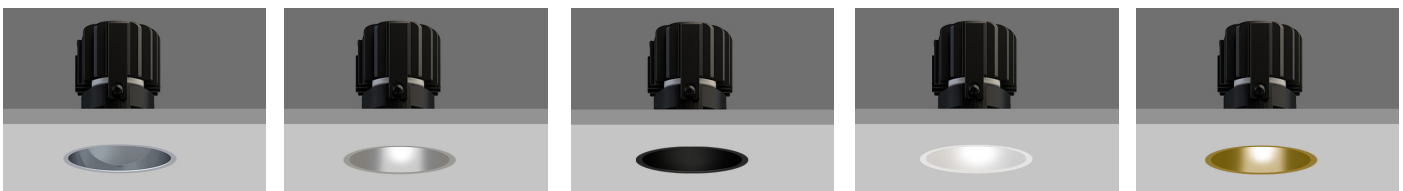
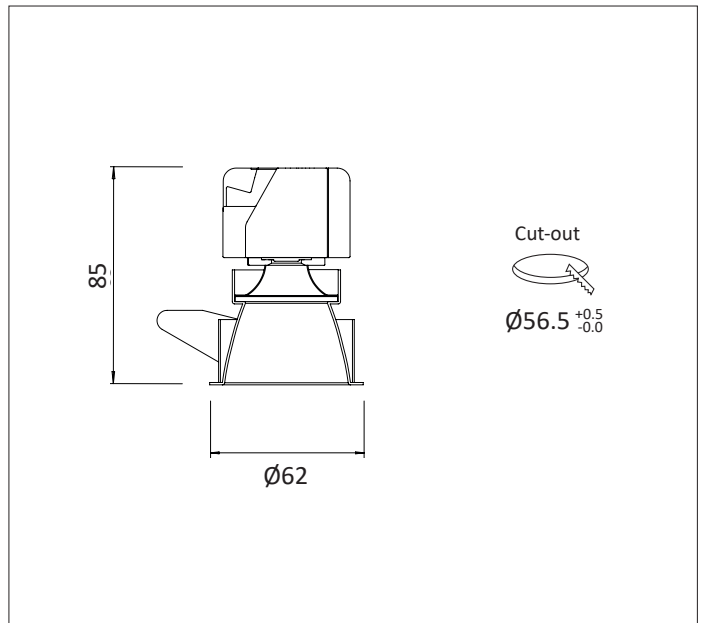
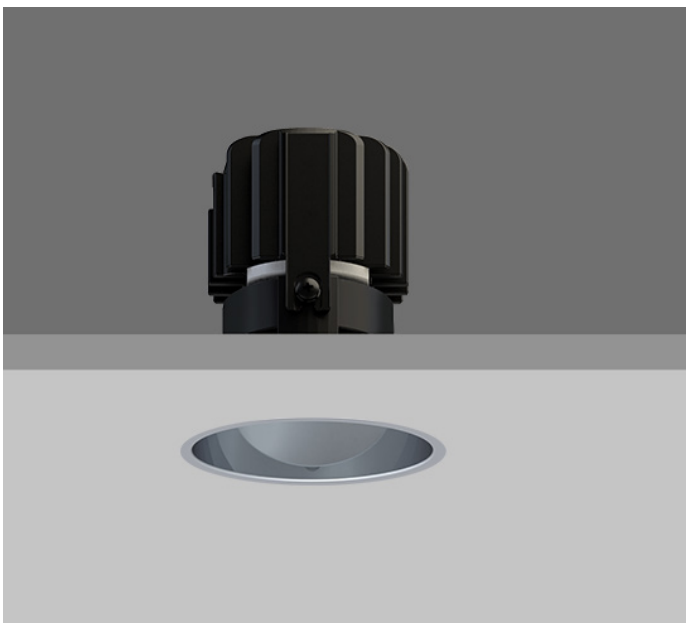
MINITRIM 62 FIXED Round recessed downlighter with no separate ceiling trim and a choice of deep cone reflector finish and beam distribution. The high-quality precision light controller with lens plus deep cone aluminium reflector gives visual comfort. The MINITRIM 62 is easy to install and incorporates the latest, high efficiency LED technology. Colour consistency through life is ensured by state-of-the-art components and passive cooling aluminium heat sinks.

Standard colour temperatures: 2700K, 3000K, 4000K, colour rendering Ra >80 and >90 2-3 step Macadam are all available.

Life 50000 hours. A choice of drivers provide fixed supply or dimming to project requirements. IP20 durable, high specification diecast construction, colour powder coat finish provides longevity.

Built to conform to the requirements of BS EN 60598-1 and IEC 598. The MINITRIM 62 spring mechanism makes installation easy.

Photometrically tested to LM-79-08 confirms MINITRIMs high performance.



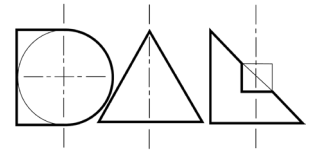
Spectro Silver    Specular Silver    Satin Silver    Black    White    Gold

IP20

46°	<b>F8658</b>	<b>F8651</b>	<b>F8652</b>	<b>F8653</b>	<b>F8654</b>	<b>F8655</b>
-----	--------------	--------------	--------------	--------------	--------------	--------------

# CREE LIGHT ENGINE

CXB1310 - (6mm LES)



Engine Order Code	LED Source (Lumens)	CCT	CRI	Pd (W)	VF forward	Current
<b>09H2</b>	950	2700K	>80	7.11W	32.3	220 mA
<b>11H2</b>	1105	2700K	>80	8.46W	32.5	260 mA
<b>12H2</b>	1255	2700K	>80	9.82W	32.7	300 mA
<b>09H3</b>	990	3000K	>80	7.11W	32.2	220 mA
<b>11H3</b>	1151	3000K	>80	8.46W	32.5	260 mA
<b>13H3</b>	1308	3000K	>80	9.82W	32.7	300 mA
<b>10H5</b>	1000	4000K	>80	7.11W	32.2	220 mA
<b>12H5</b>	1200	4000K	>80	8.46W	32.5	260 mA
<b>14H5</b>	1400	4000K	>80	9.82W	32.7	300 mA

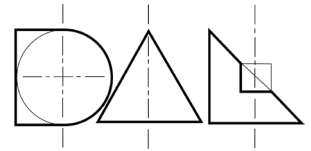
Primary Lumens Quoted via CREE Product Characterization Tool - CXB1310 Std 6r 36V  
 2700K 80CRI typical [1459], 3000K 80CRI typical [1520], 4000K 80CRI typical [1613].  
 The figures quoted use TCI (driver manufacturer) data.

Engine Order Code	LED Source (Lumens)	CCT	CRI	Pd (W)	VF forward	Current
<b>07J2</b>	779	2700K	>90	7.11W	32.2	220 mA
<b>09J2</b>	906	2700K	>90	8.46W	32.5	260 mA
<b>10J2</b>	1030	2700K	>90	9.82W	32.7	300 mA
<b>08J3</b>	826	3000K	>90	7.11W	32.2	220 mA
<b>09J3</b>	961	3000K	>90	8.46W	32.5	260 mA
<b>10J3</b>	1092	3000K	>90	9.82W	32.7	300 mA
<b>09J5</b>	903	4000K	>90	7.11W	32.2	220 mA
<b>10J5</b>	1050	4000K	>90	8.46W	32.5	260 mA
<b>11J5</b>	1193	4000K	>90	9.82W	32.7	300 mA

Primary Lumens Quoted via CREE Product Characterization Tool - CXB1310 Std 6r 36V  
 2700K 90CRI typical [1197], 3000K 90CRI typical [1269], 4000K 90CRI typical [1387].  
 The figures quoted use TCI (driver manufacturer) data.

Tolerance range for optical and electrical data: ±10 %.

# DRIVERS & EMERGENCY



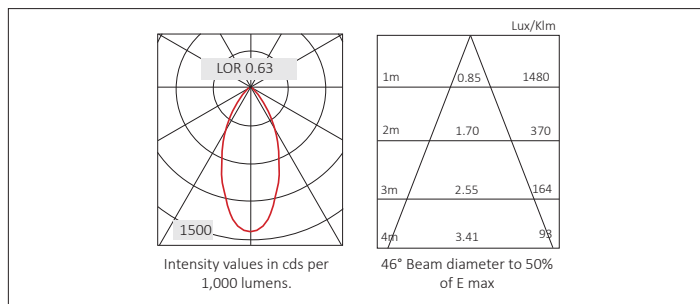
## Driver Order Code

<b>0</b>	FIXED
<b>1</b>	1-10V
<b>3</b>	DSI
<b>5</b>	DALI
<b>7</b>	LEAD / TRAIL
<b>9</b>	ADDRESSABLE

## Emergency Order Code

<b>0</b>	No emergency
<b>E</b>	3 hour maintained emergency pack
<b>9E</b>	with DALI Addressable with full error feed back

# PHOTOMETRIC DATA



Full Product Number Example

## F864113F290

**F86** Minitrim 62 Fixed Citizen LED- IP20

**5** 46°

**7** Spectro Silver

**13** 1300

**F** CRI >80 - 3 Step MacAdam

**2** 2700K

**9** Addressable

**0** No Emergency